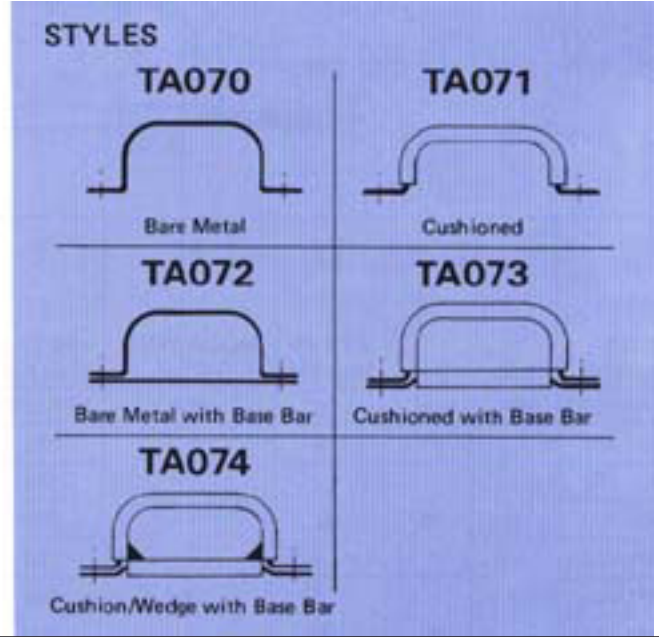


Bulletin 700: Clamp, Double Mount Multiple Tube



Part Numbering System

ex: TA07304SC0408CR = Multiple tube, double mount clamp with base bar, made up of .050 x 1/2 wide cadmium plated steel and neoprene cushion. To accept four (4) .500" (08) wires or tubes.

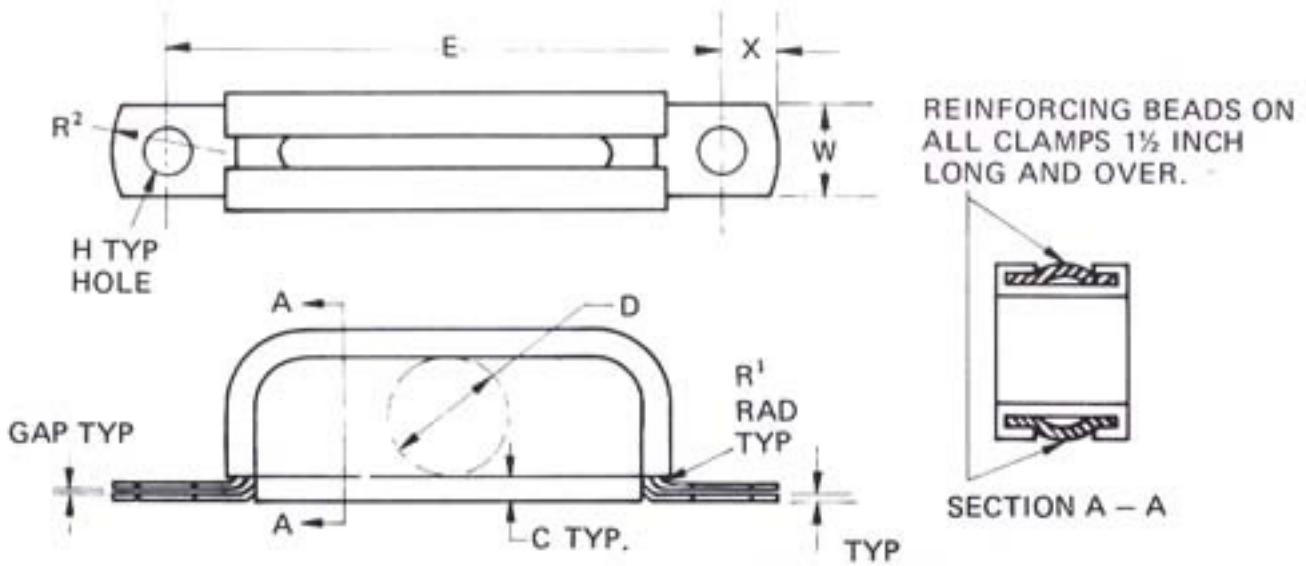
Breakdown:

Part number shown below is separated for clarity. When ordering, do not show spaces.

TA073 04 SC 04 08 CR

- TA073 = Basic Part Number
- 04 = Design Detail (See below)
- SC = Metal Identification (See Bulletin 120)
- 04 = Quantity of Wires or Tubes (Show as a minimum of 2 digits)
- 08 = Diameter of Wires or Tubes in 1/16" Increments (Show as a minimum of 2 digits)

Diagram ID ▶	Quantity and Diameter		Strap Width W	Mounting Hole H	Metal Gauge T	Mounting D x No. of Tubes E	Clearance C	Gap G	Cut Off X	Rad	
	D	D								R ¹	R ²
Tolerances ▶	Min.	Min.	+/- .005	+/- .005	Per Spec.	+/- .030	Ref.	Ref.	+/- .010	+/- .015	+/- .015
Part Number											
TA07()01	02	01	3/8	.204	.030	.820	.140	1/32	.188	1/16	3/8
TA07()02	02	02	1/2	.204	.030	.820	.170	1/32	.218	1/16	3/8
TA07()03	02	02	1/2	.204	.040	.820	.180	1/32	.218	1/8	3/8
TA07()04	02	02	1/2	.204	.050	.820	.190	1/32	.218	1/8	3/8
TA07()05	02	04	5/8	.204	.040	.820	.180	1/32	.250	1/8	1/2
TA07()06	02	04	5/8	.204	.050	.820	.190	1/32	.250	1/8	1/2
TA07()07	02	04	5/8	.204	.060	.820	.200	1/32	.250	1/8	1/2
TA07()08	02	06	3/4	.204	.040	.820	.180	1/32	.250	1/8	1/2
TA07()09	02	06	3/4	.204	.050	.820	.190	1/32	.250	1/8	1/2
TA07()10	02	06	3/4	.204	.060	.820	.200	1/32	.250	1/8	1/2



This document is the property of Kirkhill-TA and is conveyed with the express condition that it and the information contained in it are not to be used, disclosed or reproduced in whole or in part, for any purpose without the express written consent of Kirkhill-TA; and that no right is granted to disclose or so use any information contained in said document. These restrictions do not apply to vendor proprietary parts.