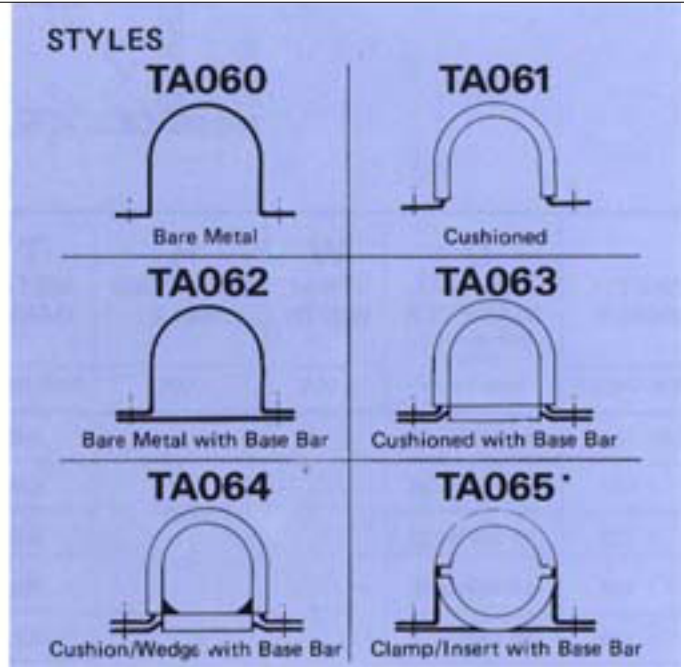
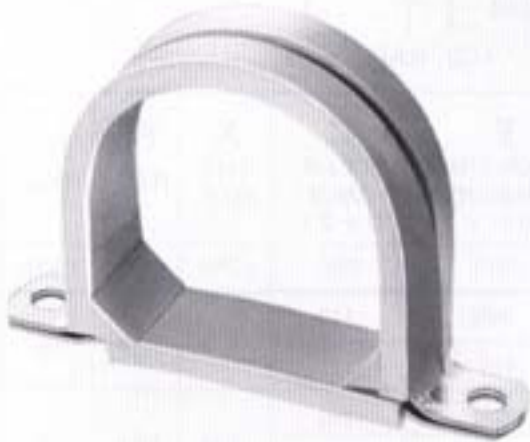


## Bulletin 600: Clamp, Double Mount Single Tube



### Part Numbering System

\* For specifying Style TA065, with elastomer insert, consult TA Sales Representative for details.

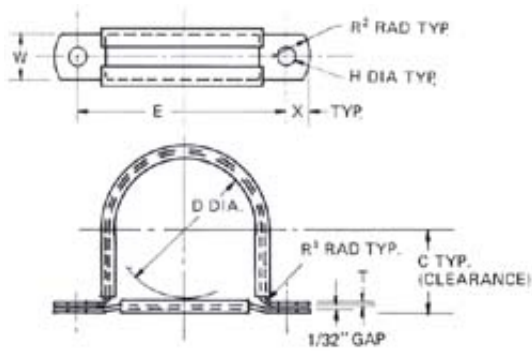
ex: **TA06410CO16CR** = Double mount clamp with base bar, for 1" diameter wingle tube or wire bundle with neoprene cushion wedges and .204" diameter mounting holes. Made from 302 stainless steel, annealed, 5/8" wide, .050" thick, ball burnished and passivated.

### Breakdown:

Part number shown below is separated for clarity. When ordering, do not show spaces.

TA064 10 CO 16 CR

- TA064 = Basic Part Number
- 10 = Design Detail (See below)
- CO = Metal Identification (See Bulletin 120)
- 16 = Diameter in 1/16" Increments (Show as a minimum of 2 digits)
- CR = Cushion Code or Plastic Insert Code (See Bulletins 120 and 130)



	Nominal Dia. expressed in 1/16" increments	Strap Width	Mounting Hole	Metal Gauge	Mounting Dimension DIA+	Clearance D/2+	Cut Off	Rad	
Diagram ID ▶	D	W	H	T	E	C	X	R <sup>1</sup>	R <sup>2</sup>
Tolerances ▶		+/- .005	+/- .005	Per Spec.	+/- .015	Ref.	+/- .010	+/- .015	+/- .015
<b>Part Number</b>									
TA06( )01	04 to 16	1/2	.204	.030	.890	.170	.218	1/16	3/8
02	12 to 24	1/2	.204	.040	.910	.180	.218	1/16	3/8
03	16 to 32	1/2	.204	.050	1.070	.190	.250	7/64	1/2
04	24 to 48	1/2	.204	.060	1.090	.200	.250	7/64	1/2
05	04 to 16	1/2	.281	.030	.930	.170	.312	1/16	1/2
06	12 to 24	1/2	.281	.040	.950	.180	.312	1/16	1/2
07	16 to 32	1/2	.281	.050	1.070	.190	.312	7/64	1/2
08	24 to 48	1/2	.281	.060	1.090	.200	.312	7/64	1/2
TA06( )09	12 to 24	5/8	.204	.040	.910	.180	.250	1/16	1/2
10	16 to 64	5/8	.204	.050	1.070	.190	.250	7/64	1/2
11	12 to 24	5/8	.281	.040	.950	.180	.312	1/16	1/2
12	16 to 64	5/8	.281	.050	1.070	.190	.312	7/64	1/2
TA06( )13	17 to 48	3/4	.204	.050	1.070	.190	.250	7/64	1/2
14	32 to 96	3/4	.204	.060	1.090	.200	.250	7/64	1/2
15	17 to 48	3/4	.281	.050	1.070	.190	.312	7/64	1/2
16	32 to 96	3/4	.281	.060	1.090	.200	.312	7/64	1/2
17	17 to 96	3/4	.343	.060	1.090	.200	.312	7/64	1/2
18	17 to 96	3/4	.406	.060	1.090	.200	.312	7/64	1/2

**Standard Packaging:**

Individual clamp bands, clamp bases and foot reinforcing tabs (when specified) will be bulk packaged within a common container unless otherwise specified. Each double mount clamp requiring an insert will be individually bagged unless otherwise specified.

This document is the property of Kirkhill-TA and is conveyed with the express condition that it and the information contained in it are not to be used, disclosed or reproduced in whole or in part, for any purpose without the express written consent of Kirkhill-TA; and that no right is granted to disclose or so use any information contained in said document. These restrictions do not apply to vendor proprietary parts.