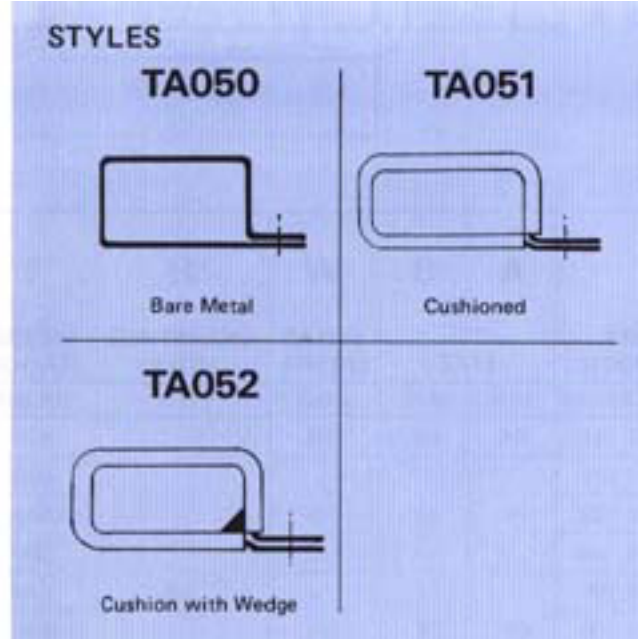


Bulletin 500: Clamp Rectangular Loop



Part Numbering System

ex: TA05103SC1014CR = Rectangular Loop clamp for a 5/8"x7/8" rectangular tube with neoprene cushion and .204 dia. mounting hole. Made from .040 thick, 1/2" wide 1010 steel, cadmium plated.

Breakdown:

Part number shown below is separated for clarity. When ordering, do not show spaces.

TA 051 03 SC 10 14 CR

- TA051 = Basic Part Number
- 03 = Design Detail (See Below)
- SC = Metal Identification (See Bulletin 120)
- 10 = Size-A in 1/16" Increments (Show as a minimum of 2 digits)
- 14 = Size-B in 1/16" Increments (Show as a minimum of 2 digits)
- CR = Cushion Code or Plastic Insert Code (See Bulletins 120 and 130)

Specifications

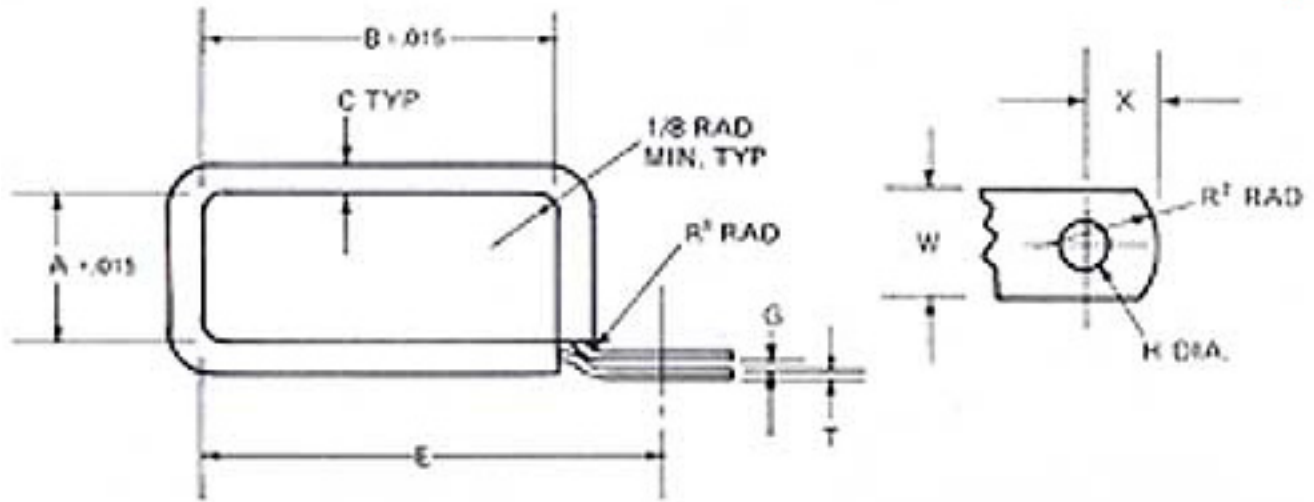


Diagram ID ▶	Size		Strap Width W	Mounting Hole H	Metal Gauge T	Mounting Dimension B+	Clearance C	Gap G	Cut Off X	Rad	
	A	B								R ¹	R ²
Tolerances ▶	Min.*	Min.*	+/- .003	+/- .005	Per Spec.	+/- .030	+/- .003	+/- .003	+/- .003	Min.*	Min*
Part Number											
TA05()01	04	06	3/8	.204	.030	.410	.140	1/32	.188	1/16	3/8
TA05()02	04	12	1/2	.204	.030	.410	.170	1/32	.218	1/16	3/8
TA05()03	04	12	1/2	.204	.040	.410	.180	1/32	.218	1/8	3/8
TA05()04	04	12	1/2	.204	.050	.410	.190	1/32	.218	1/8	3/8
TA05()05	06	16	5/8	.204	.040	.410	.180	1/32	.250	1/8	1/2
TA05()06	06	16	5/8	.204	.050	.410	.190	1/32	.250	1/8	1/2
TA05()07	06	16	5/8	.204	.060	.410	.200	1/32	.250	1/8	1/2
TA05()09	08	24	3/4	.204	.050	.410	.180	1/32	.250	1/8	1/2
TA05()10	08	24	3/4	.204	.060	.410	.190	1/32	.250	1/8	1/2

Note: Minimum "A" and "B" can be reversed.

© 2003 Kirkhill-TA Co.

This document is the property of Kirkhill-TA and is conveyed with the express condition that it and the information contained in it are not to be used, disclosed or reproduced in whole or in part, for any purpose without the express written consent of Kirkhill-TA; and that no right is granted to disclose or so use any information contained in said document. These restrictions do not apply to vendor proprietary parts.