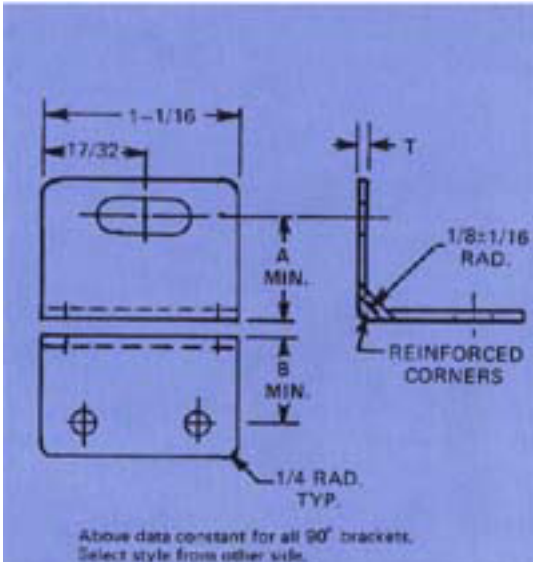


Bulletin 4000C-3: Bracket 90° Angle (1-1/6" Wide)



Part Numbering System

ex: TA4091D1010 = Bracket, 90° Angle, 1-1/16" wide, Aluminum .060 Style D.
 A dimension 10 (5/8")
 B dimension 10 (5/8")

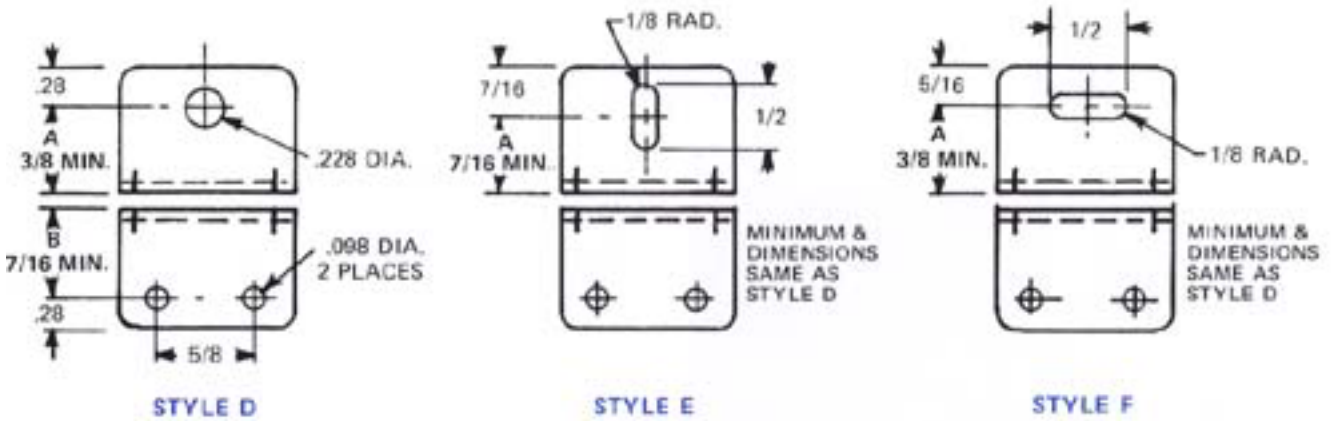
Breakdown:

Part number shown below is separated for clarity. When ordering, do not show spaces.

TA4091 D 10 10

- TA4091 = Basic Part Number
- D = Style Code (See Below)
- 10 = A in 1/16" increments
(See Min. Show as minimum of 2 digits)
- 10 = B in 1/16" increments
(See Min. Show as minimum of 2 digits)

Consult TA's engineering department when other configurations, materials or finishes are required.



Part Number	Material Code	T
TA4090()	DO	.040
TA4091()	DO	.060
TA4092()	DO	.070
TA4093()	DC	.040
TA4094()	DC	.060
TA4095()	DC	.070
TA4096()	HO	.040
TA4097()	HO	.050
TA4098()	HO	.060

For material & finish information see Bulletin 120

Dimensions in inches

Tolerances: Fractions $\pm 1/32$ ", Decimals $\pm .010$, except where noted.

Consult TA's engineering department when other configurations, materials or finishes are required.

This document is the property of Kirkhill-TA and is conveyed with the express condition that it and the information contained in it are not to be used, disclosed or reproduced in whole or in part, for any purpose without the express written consent of Kirkhill-TA and that no right is granted to disclose or so use any information contained in said document. These restrictions do not apply to vendor proprietary parts.