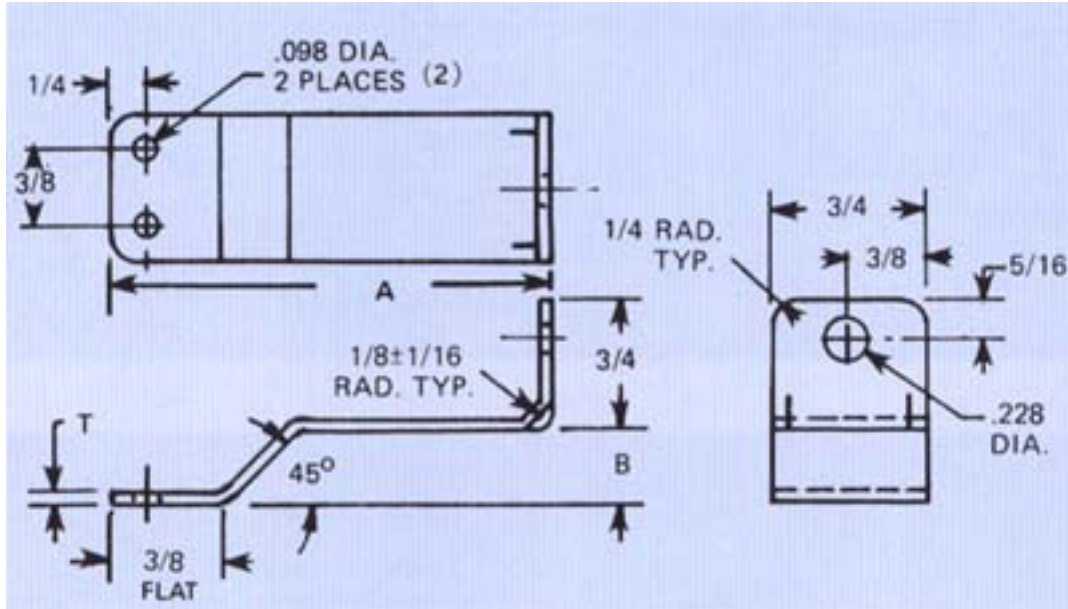


Bulletin 4000B-1: Bracket Double Offset



Part Numbering System

ex: TA4022M = Bracket, Double offset 3/4" wide, Aluminum .050 with chemical film-gold.
 A dimension 3"
 B dimension 3/8"

Breakdown:

Part number shown below is separated for clarity. When ordering, do not show spaces.

TA4022 M

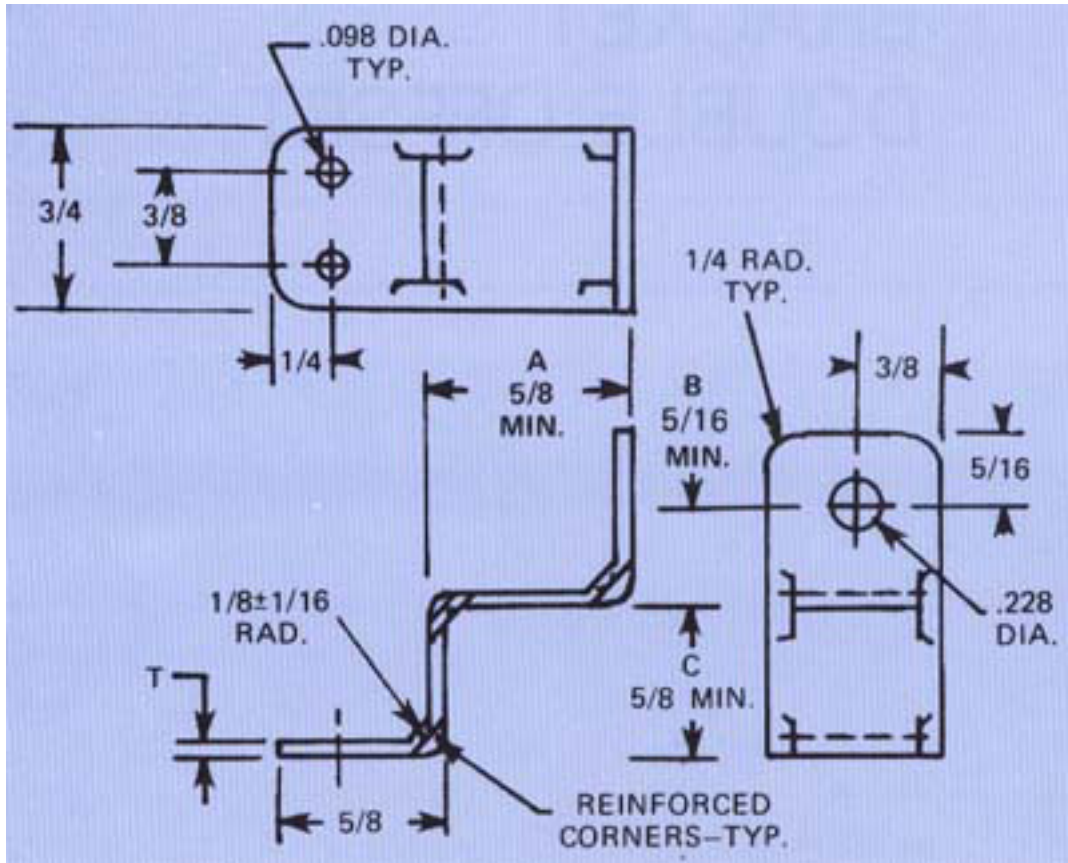
TA4022 = Basic Part Number
 M = Code Letter from chart.
 Each code represents an A & B dimension combination.
 Available only in listed combinations.

Part Number	Material Code	T
TA4020()	DO	.050
TA4021()	DO	.070
TA4022()	DC	.050
TA4023()	DC	.070

For Material & finish information see Bulletin 120.

Only sizes available		
Code	A	B
C	1-1/4"	1/4"
D	1-1/2"	1/4"
E	1-1/2"	7/16"
F	1-9/16"	7/16"
G	1-9/16"	11/16"
H	1-3/4"	3/8"
J	2"	3/8"
K	2-1/4"	3/8"
L	2-3/4"	3/8"
M	3"	3/8"

See below for other configurations.



Part Numbering System

ex: TA4025101010 = Bracket,
 Double offset 3/4" wide, Aluminum .050
 A dimension 10 (5/8").
 B dimension 10 (5/8"),
 C dimension 10 (5/8")

Breakdown:

Part number shown below is separated for clarity.

When ordering, do not show spaces.

Dimensions in inches.

Tolerances: Fractions +/-1/32", Decimals +/- .010", except where noted.

TA4025 10 10 10

TA4025 = Basic Part Number

10 = A in 1/16" Increments (See Min. Show as minimum of 2 digits)

10 = B in 1/16" Increments (See Min. Show as minimum of 2 digits)

10 = C in 1/16" Increments (See Min. Show as minimum of 2 digits)

Part Number	Material Code	T
TA4025()	DO	.050
TA4026()	DO	.070
TA4027()	DC	.050
TA4028()	DC	.070

For Material & Finish information see Bulletin 120.