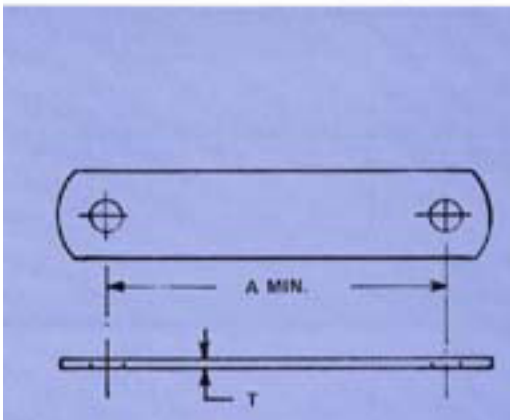


Bulletin 4000A: Bracket Flat



Part Numbering System

ex: TA4012D20 = Flat bracket 3/4" wide.
Aluminum .050 with chemical film-gold, style D, A dimension 20 (1-1/4")

Breakdown:

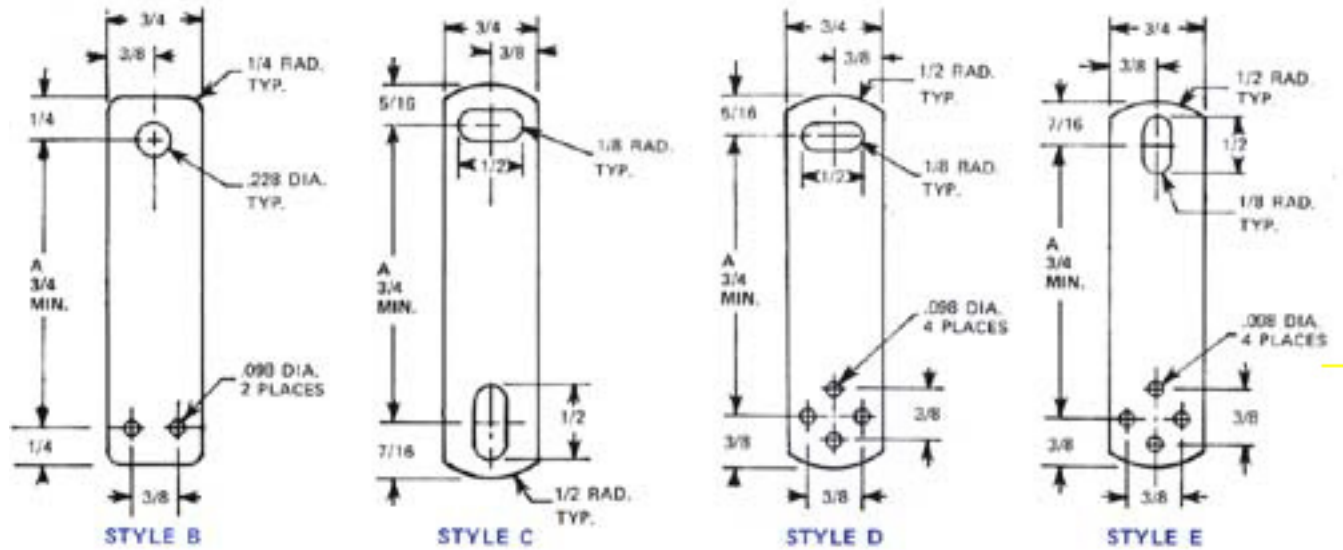
Part number shown below is separated for clarity. When ordering, do not show spaces.

TA4012 D 20

- TA4012 = Basic Part Number
- D = Style Code (See Below)
- 20 = A in 1/16" increments (3/4" min. show as a minimum of 2 digits)

| Part Number | Material Code | T |
|-------------|---------------|------|
| TA4010() | DO | .050 |
| TA4011() | DO | .070 |
| TA4012() | DC | .050 |
| TA4013() | DC | .070 |
| TA4014() | HO | .040 |
| TA4015() | HO | .050 |

For material & finish information see Bulletin 120.



| Style | W | Hole Dia. | X | Rad. |
|-------|-----|-----------|------|------|
| G | 1/2 | .147 | 3/16 | 3/8 |
| H | 1/2 | .173 | 3/16 | 3/8 |
| J | 1/2 | .204 | 7/32 | 3/8 |
| K | 1/2 | .281 | 5/16 | 1/2 |
| L | 5/8 | .281 | 5/16 | 1/2 |
| M | 5/8 | .344 | 5/16 | 1/2 |
| N | 3/4 | .197 | 1/4 | 1/2 |
| P | 3/4 | .281 | 5/16 | 1/2 |
| R | 3/4 | .344 | 5/16 | 1/2 |

Dimensions in inches.

Tolerances: Fractions +/- 1/32", Decimals +/- .010"

Consult TA's engineering department when other configurations, materials or finishes are required.