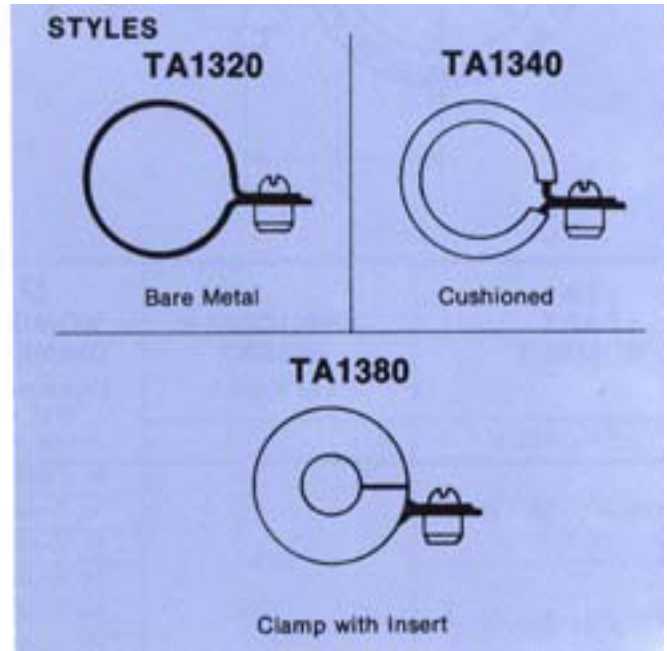
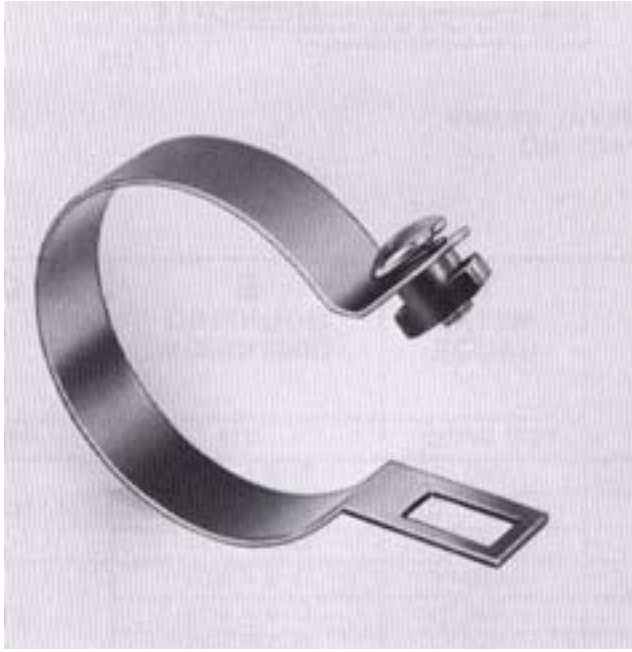


Bulletin 1300-2: Flip-Loc® Flush Mount No-Hinge

Bracket Separable



Part Numbering System

ex: TA134020NB02 = Flip-Loc clamp (.040 stainless steel x 1/2 wide) no bracket, no hinge, Nitrile Butadiene (NB) cushion, thumb screw (1/4 turn lock), for tube size 1-1/4 diameter.

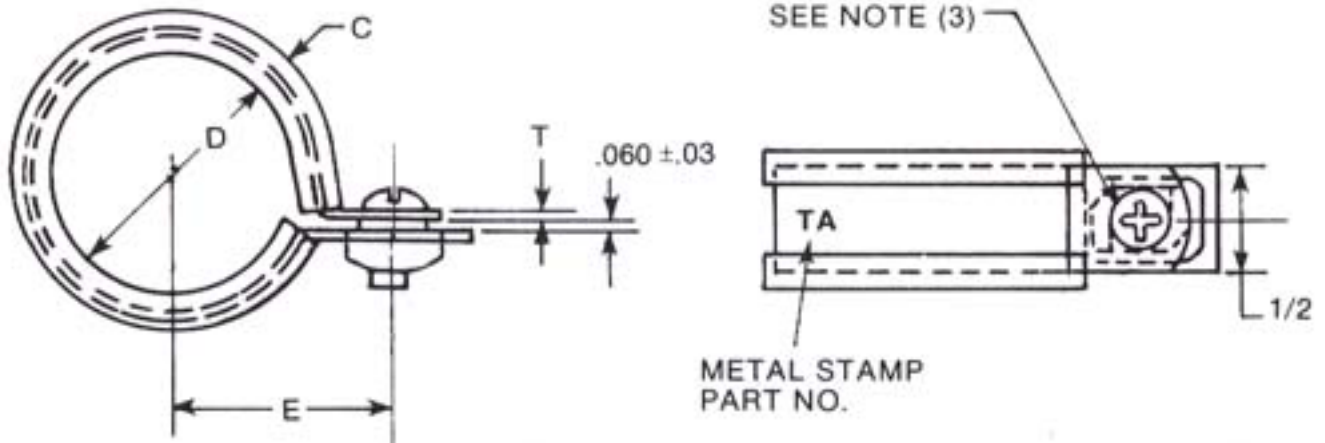
Breakdown:

Part number shown below is separated for clarity. When ordering, do not show spaces.

TA1340 20 NB 02

TA1340 = Basic Part Number
 20 = D Tube Diameter in 1/16" Increments (Show as a minimum of 2 digits)
 NB = Cushion or Insert Material Code (See Bulletins 120 and 130)
 02 = Screw Head Option (See Bulletin 1000A)

Specifications



	Applicable Insert See Note 1	Nominal Diameter expressed in 1/16" increments	Metal Gauge	Mounting Dimension	
Diagram ID ▶		D	T	E	C
Tolerances ▶			Per Spec.	+/- .015	Ref.
Part Number					
TA1320 - () ()	N/A	06 thru 08	.020	D/2 + .441	N/A
TA1320 - () ()	N/A	09 thru 16	.030	D/2 + .451	N/A
TA1320 - () ()	N/A	17 thru 32	.040	D/2 + .461	N/A
TA1340 - () ()	N/A	05 thru 08	.020	D/2 + .503	.210
TA1340 - () ()	N/A	09 thru 16	.030	D/2 + .513	.210
TA1340 - () ()	N/A	17 thru 32	.040	D/2 + .523	.210
TA1380 - () ()	TA71100002	01 thru 04	.020	.629	N/A
TA1381 - () ()	TA71100003	01 thru 05	.020	.691	N/A
TA1382 - () ()	TA71100004	02 thru 07	.020	.753	N/A

Material: 17-7 PH annealed per AMS 5528, heat treat to TH1100 per MIL-H-6875

Finish: Ball burnished and passivated per QQ-P-35

Note 1: Synthetic rubber inserts are required and supplied when specifying style TA1380, TA1381, and TA1382 for nominal diameters within the limits shown. Applicable insert part numbers are shown for reference only. See Bulletins 120 and 130 for insert configurations and materials available. "N/A" shown in this column indicates that standard cushion configurations and materials will be supplied as applicable for styles TA1340.

Note 2: Plastic inserts are an available option. Contact TA Product Engineering Dept.

Note 3: Screw head options, see Bulletin 1000A. Screw size (not optional) per strap width, 10-32 screws are used on 1/2 wide strap clamps, 1/4-28 screws are used on larger widths.

Note 4: See Bulletin 1000A for separable bracket options. Order separately.

This document is the property of Kirkhill-TA and is conveyed with the express condition that it and the information contained in it are not to be used, disclosed or reproduced in whole or in part, for any purpose without the express written consent of Kirkhill-TA and that no right is granted to disclose or so use any information contained in said document. These restrictions do not apply to vendor proprietary parts.