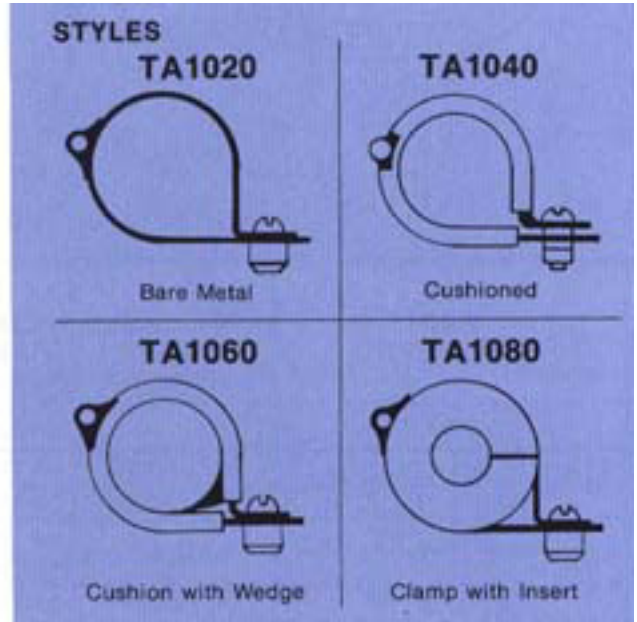
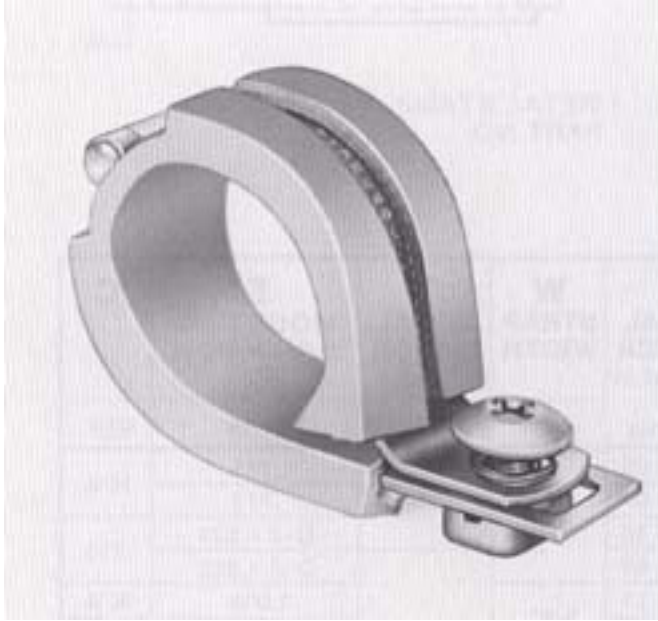


Bulletin 1000-2: Flip-Loc® Offset Mount Hinged

Mounting Bracket Separable



Part Numbering System

ex: TA10600420NB02 = Flip-Loc clamp (.050 stainless steel x 1/2 wide), (no bracket), Nitrile Butadiene (NB) cushion and wedge, thumb screw (1/4 turn fastening), for tube size 1-1/4 diameter.

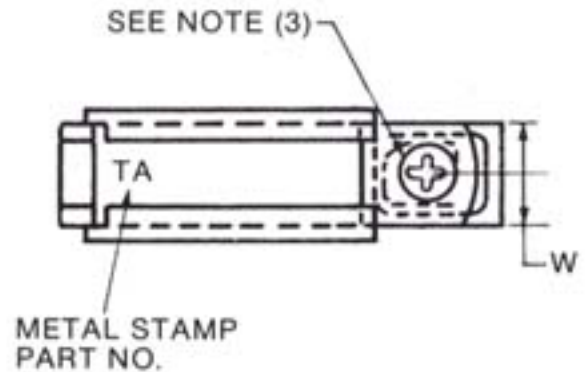
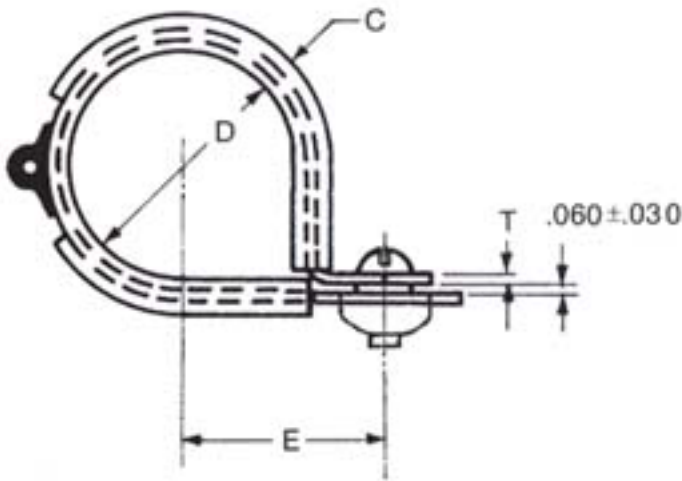
Breakdown:

Part number shown below is separated for clarity. When ordering, do not show spaces.

TA1060 04 20 NB 02

- TA1060 = Basic Part Number
- 04 = Design Detail (See Below)
- 20 = D Tube Diameter in 1/16" Increments (Show as a minimum of 2 digits)
- NB = Cushion or Insert Material Code (See Bulletins 120 and 130)
- 02 = Screw Head Option (See Bulletin 1000A)

Specifications



	Applicable Insert See Note 1	Nominal Diameter expressed in 1/16" increments	Strap Width	Metal Gauge	Mounting Dimension	
Diagram ID ▶		D	W	T	E	C
Tolerances ▶			+/- .005	Per Spec.	+/- .015	Ref.
Part Number						
TA10 80 01 () () ()	TA71100003	01 thru 05	1/2"	.040	.711	N/A
TA10 80 02 () () ()	TA71100004	02 thru 07	1/2"	.040	.773	N/A
TA10 () 03 () () ()	N/A	08 thru 16	1/2"	.040	D/2 + .523	.210
TA10 () 04 () () ()	17 thru 64	.050	1/2"	.040	D/2 + .533	.210
TA10 80 05 () () ()	TA71100011	02 thru 11	5/8"	.050	1.018	N/A
TA10 () 06 () () ()	N/A	12 thru 64	5/8"	.050	D/2 + .640	.210
TA10 80 07 () () ()	TA71100012	02 thru 11	3/4"	.050	1.018	N/A
TA10 () 08 () () ()	N/A	12 thru 64	3/4"	.050	D/2 + .640	.210
TA10 80 09 () () ()	TA71100013	02 thru 11	1"	.050	1.018	N/A
TA10 () 10 () () ()	N/A	12 thru 64	1"	.050	D/2 + .640	.210

Material: Band and bracket: 321 stainless steel, annealed, per AMS 5510

Finish: Ball burnished and passivated per QQ-P-35

Note 1: Synthetic rubber inserts are required and supplied when specifying style TA1070 for nominal diameters within the limits shown. Applicable insert part numbers are shown for reference only. See Bulletins 120 and 130 for insert configurations and materials available. "N/A" shown in this column indicates that standard cushion configurations and materials will be supplied as applicable for styles TA1030 and TA1050.

Note 2: Plastic inserts are an available option. Contact TA Product Engineering Dept.

Note 3: Screw head options, see Bulletin 1000A. Screw size (not optional) per strap width, 10-32 screws are used on 1/2 wide strap clamps, 1/4-28 screws are used on larger widths.

This document is the property of Kirkhill-TA and is conveyed with the express condition that it and the information contained in it are not to be used, disclosed or reproduced in whole or in part, for any purpose without the express written consent of Kirkhill-TA and that no right is granted to disclose or so use any information contained in said document. These restrictions do not apply to vendor proprietary parts.