

NMC

NMC CA7500- (Series)

TUBE SUPPORT CLAMPS



Tubing Support/Mounting Clamp For Use in Aircraft, Marine, Electronic, Automotive, etc.

Lightweight, abrasion-resistance saddle clamps are ideal for tube support in such areas as vent lines in jet aircraft and other air, fluid, fuel and hydraulic lines. They provide a cushioning effect and withstand constant vibration and shock loads, are non-corrosive, weather-proof, fungus-proof, lightweight, strong and durable. They are made of 6/6 nylon that is self-extinguishing and heat stabilized when tested in accordance with ASTM D4066. These clamps can be immersed in aircraft fuel. Available in 23 sizes, from 1.0" to 6".

NMC has full engineering specifications available for all items shown here. Contact us for further information.



Nylon Molding Corporation / Div. of NMC Group, Inc.

2755 Thompson Creek Road • Pomona, CA 91767-1861

(800) 321-1243 • (909) 451-2290 • Fax: (909) 593-8309 • www.nmcgroup.com

ISO 9100-2000 • AS9100B

NMC

NMC CA7500- (Series)

TUBE SUPPORT CLAMPS

MATERIAL:

Nylon 6/6 Heat stabilized per
ASTM D4066 (PA 0121)
(For applications to 275-F)

CONFORMS TO:

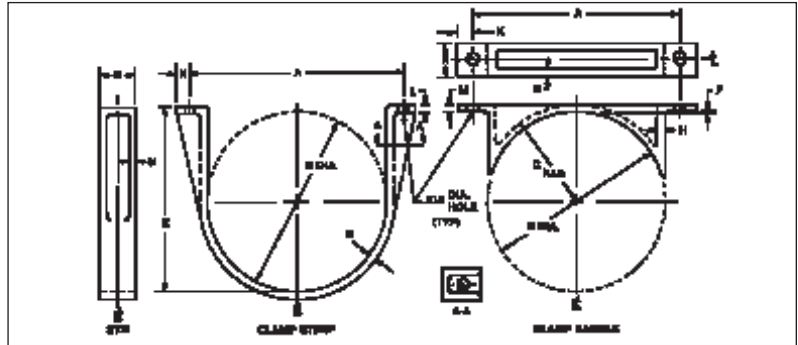
BAC C10EW-(Series)
OP 1843-(Series)
09A061-(Series)
GC 500 -(Series)

COLORS:

Natural

CODE:

A = Clamp Strap
B = Clamp Saddle



CLAMP STRAP												
PART NO.	TUBE SIZE	A ±.020	B ±.025	D	E +.020/-.000	F RAD	G	K	L	N	R	S RAD
CA7500 16A	1.0	1.94	1.0		1.03							
CA7500 20A	1.25	2.19	1.25		1.28							
CA7500 24A	1-1/2	2.440	1.500		1.530			.32				
CA7500 26A	1-5/8	2.690	1.625		1.655							
CA7500 28A	1-3/4	2.690	1.750		1.780							
CA7500 30A	1-7/8	2.690	1.875	.16	1.905	.06	.09		.19			.06
CA7500 32A	2	2.940	2.000		2.030							
CA7500 34A	2-1/8	3.125	2.125		2.155							
CA7500 36A	2-1/4	3.310	2.250		2.280							
CA7500 40A	2-1/2	3.560	2.500		2.530							
CA7500 42A	2-5/8	3.685	2.625		2.655							
CA7500 44A	2-3/4	3.810	2.750	.18	2.780							
CA7500 48A	3	4.060	3.000		3.060			.35		.09	.75	
CA7500 52A	3-1/4	4.310	3.250		3.310	.09						
CA7500 56A	3-1/2	4.560	3.500		3.560							
CA7500 58A	3-5/8	4.690	3.625		3.685							
CA7500 60A	3-3/4	4.810	3.750	.20	3.810							
CA7500 64A	4	5.060	4.000		4.060		.15		.25			.09
CA7500 72A	4-1/2	5.560	4.500		4.560							
CA7500 80A	5	6.250	5.000	.25	5.060							
CA7500 82A	5-1/8	6.410	5.125	.27	5.185	.125			.27			
CA7500 88A	5-1/2	6.875	5.500	.32	5.560				.31			
CA7500 96A	6	7.500	6.000	.38	6.120				.38	.12	.08	

CLAMP SADDLE												
PART NO.	TUBE SIZE	A ±.020	B DIA. ±.025	C RAD	H	J	K	M	N	P	R	T RAD
CA7500 16B	1.0	1.94	1.0	660								
CA7500 20B	1.25	2.19	1.25	.783								
CA7500 24B	1-1/2	2.440	1.500	0.910			.32					
CA7500 26B	1-5/8	2.690	1.625	0.960								
CA7500 28B	1-3/4	2.690	1.750	0.995								
CA7500 30B	1-7/8	2.690	1.875	1.080	.12	.06						
CA7500 32B	2	2.940	2.000	1.160				.12		.030		.04
CA7500 34B	2-1/8	3.125	2.125	1.210								
CA7500 36B	2-1/4	3.310	2.250	1.290								
CA7500 40B	2-1/2	3.560	2.500	1.430								
CA7500 42B	2-5/8	3.655	2.625	1.470								
CA7500 44B	2-3/4	3.810	2.750	1.530								
CA7500 48B	3	4.060	3.000	1.680	.14		.35		.09	±.002	.75	
CA7500 52B	3-1/4	4.310	3.250	1.880								
CA7500 56B	3-1/2	4.560	3.500	1.900					.060			
CA7500 58B	3-5/8	4.690	3.625	1.975	.15	.12						
CA7500 60B	3-3/4	4.810	3.750	2.090								
CA7500 64B	4	5.060	4.000	2.200				.19				.06
CA7500 72B	4-1/2	5.560	4.500	2.450	.16							
CA7500 80B	5	6.250	5.000	2.750	.25							
CA7500 82B	5-1/8	6.410	5.125	2.825	.26			.20				.08
CA7500 88B	5-1/2	6.875	5.500	3.050	.30			.22				.125
CA7500 96B	6	7.500	6.000	3.380	.35			.38	.12	.120	±.003	.80

For more information call toll free: (800) 321-1243 or visit our website at www.nmcgroup.com