

# NMC

NMC 3650- (Series)

## SUPPORT CLAMP (-F)

Qualified to: MS 25281-F (Series)



### **Support Clamp for Multiple Type Applications with Eyelet Feature**

This support clamp with eyelet is designed for heavy-duty use. The metal eyelet added to the mounting hole distributes the load and relieves stress concentration. It is available in sizes from .125" to 1.25" in diameter.

Excellent for wire bundles and hydraulic lines. Light weight design includes exclusive wiping action to prevent pinching. Nylon is impervious to Skydrol, other fuels and chemicals. Flexible nylon permits variety of mounting methods – in-line, flush base or butterfly. One-piece design gives maximum cushioning and eliminates abrasion.

The Support Clamp (-F) meets all existing dimensions of current blueprints in the marketplace and it qualifies to MS 25281-F dimensions.

NMC has full engineering specifications available for all items shown here. Contact us for further information.



**Nylon Molding Corporation / Div. of NMC Group, Inc.**

2755 Thompson Creek Road • Pomona, CA 91767-1861

800.321-1243 • 909.451-2290 • Fax: 909.593-8309

e-mail: [info@nmcgroup.com](mailto:info@nmcgroup.com) • [www.nmcgroup.com](http://www.nmcgroup.com)

# NMC

NMC 3650- (Series)

## SUPPORT CLAMP (-F)

Qualified to: MS 25281-F (Series)

**MATERIAL:**

**Nylon:**

Nylon 6/6 Heat Stabilized per  
ASTM D4066 (PA 0121)

(For applications to 275°F)

**COLOR:**

Natural

**SIZES:**

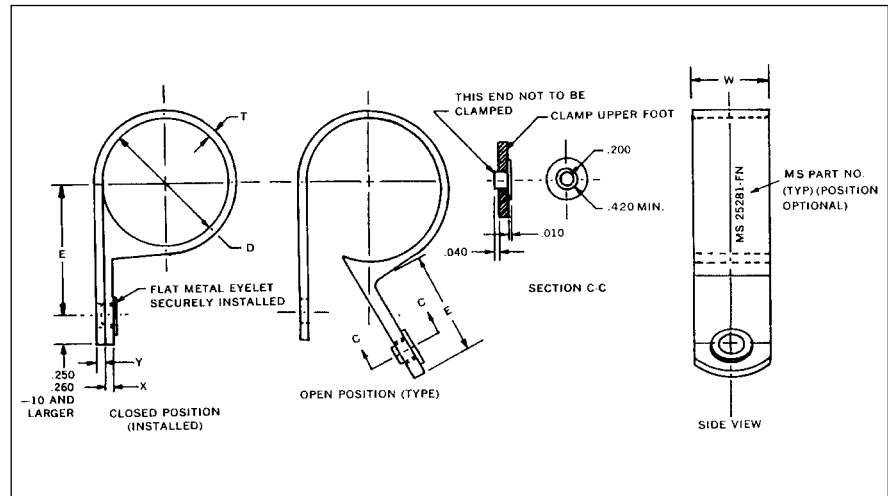
See chart and figures below

**METAL EYELET:**

Aluminum anodized per MIL-A-8625

**QUALIFIES TO:**

MS 25281-F (Series)



NMC-3650	APPROX CABLE BUNDLE DIA.	D	E	(RADIUS) P MIN.	S 0.01	T MIN	T MAX.	W MIN.	W MAX.	X MIN.	X MAX.	Y MIN.	Y MAX.
-2	1/8	0.125	0.44										
-3	3/16	0.188	0.485			0.038	0.075					0.06	
-4	1/4	0.25	0.51										
-5	5/16	0.312	0.546	0.25	0.54				0.51				0.1
-6	3/8	0.375	0.578										
-7	7/16	0.468	0.608										
-8	1/2	0.5	0.639								0.08		
-9	9/16	0.562	0.675							0.06			
-10	5/8	0.625	0.706									0.085	
-11	11/16	0.688	0.785			0.05	0.085	0.495					
-12	3/4	0.75	0.816										
-13	13/16	0.812	0.827										
-14	7/8	0.875	0.878										
-15	15/16	0.938	0.91	0.3	0.605				0.61				0.13
-16	1	1	0.941										
-17	1-1/16	1.063	0.972								0.13		
-18	1-1/8	1.125	0.983										
-19	1-3/16	1.188	1.024										
-20	1-1/4	1.25	1.066			0.08	0.16			0.085		0.12	



**Nylon Molding Corporation / Div. of NMC Group, Inc.**

2755 Thompson Creek Road • Pomona, CA 91767-1861

800.321-1243 • 909.451-2290 • Fax: 909.593-8309

e-mail: info@nmcgroup.com • www.nmcgroup.com

**For more information call toll-free: (800) 321-1243**