

NMC

STRINGER CLIPS



NMC Stringer Clips

NMC designs and manufactures several stringer clips and stringer clamps. These devices provide a wide range of attachment points and types, varying from cable tie mounts to threaded standoffs and insulation blank retainers. The threaded standoffs provide a mechanical fastening point for cable clamps, ring posts and component attachment.

Stringer clips are used in low-load situations and are designed to handle loads in the 50-pound range.

Bring us your attachment requirements and we can suggest an existing product or design and manufacture a new one for you.



Nylon Molding Corporation / Division of the NMC Group, Inc.

2755 Thompson Creek Road • Pomona, CA 91767-1861

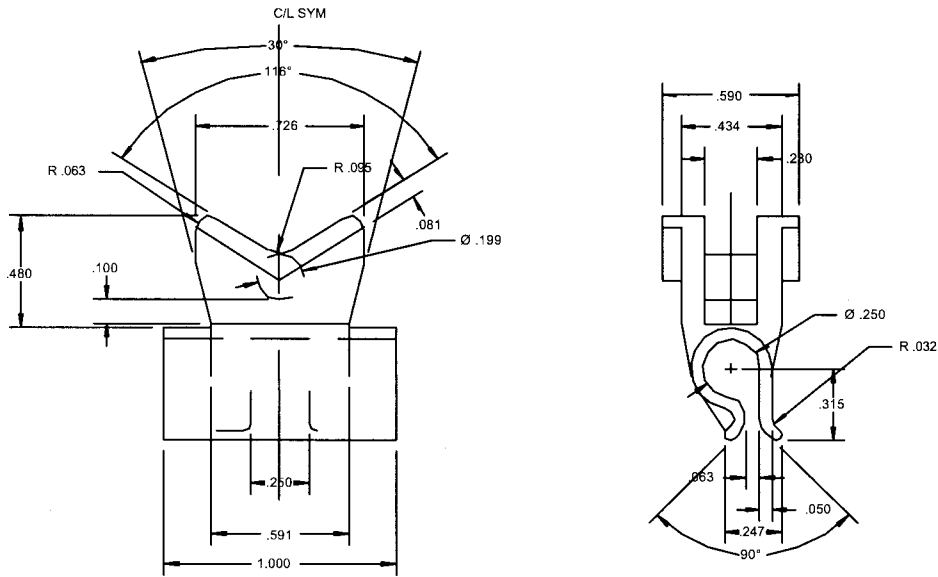
(800) 321-1243 • (909) 451-2290 • Fax: (909) 593-8309

e-mail: info@nmcgroup.com • www.nmcgroup.com

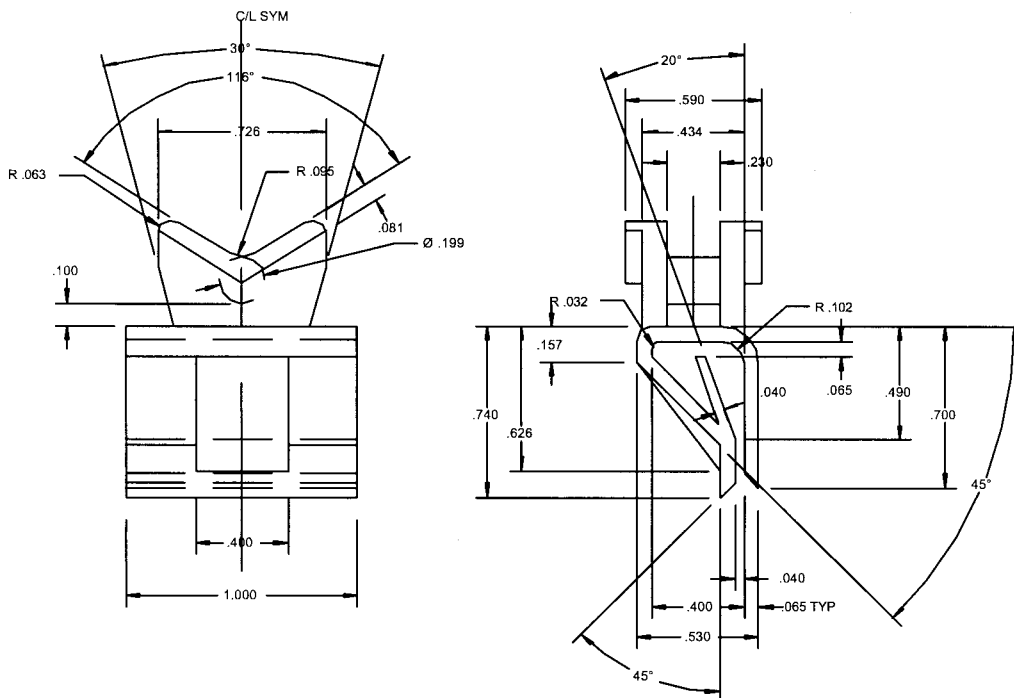
NMC

STRINGER CLIPS

NMC CS3043



NMC CS3161



For more information call toll free: (800) 321-1243 or visit our website at www.nmcgroup.com