

NMC

CL 141N-R (Series)

SUPPORT CLAMP W/EYELET

Qualified to: MS25281-R (Series)



Wire Management Clamps with Eyelet Feature

The support clamp with eyelet is designed for heavy-duty wire management needs. The metal eyelet, added to the mounting hole, distributes the load, relieves stress concentration and gives added strength and protection. It is ideal for holding wires, and wire harnesses. Support clamps provide excellent stability under vibration as well as continuous circular support.

It meets all existing dimensions of current blueprints in the marketplace and it conforms to MS 25281-R dimensions. The support clamp with eyelet is available in sizes from .125" to 2.00" diameter.

NMC has full engineering specifications available for all items shown here. Contact us for further information.



Nylon Molding Corporation / Div. of NMC Group, Inc.

2755 Thompson Creek Road • Pomona, CA 91767-1861

(800) 321-1243 • (909) 451-2290 • Fax: (909) 593-8309 • www.nmcgroup.com

ISO 9100-2000 • AS9100B

NMC

CL 141N-R (Series)

SUPPORT CLAMP W/EYELET

Qualified to: MS25281-R (Series)

MATERIAL:

Nylon:

Nylon 6/6 Heat Stabilized per
ASTM D4066 (PA 0121)

(For applications to 275°F)

METAL EYELET:

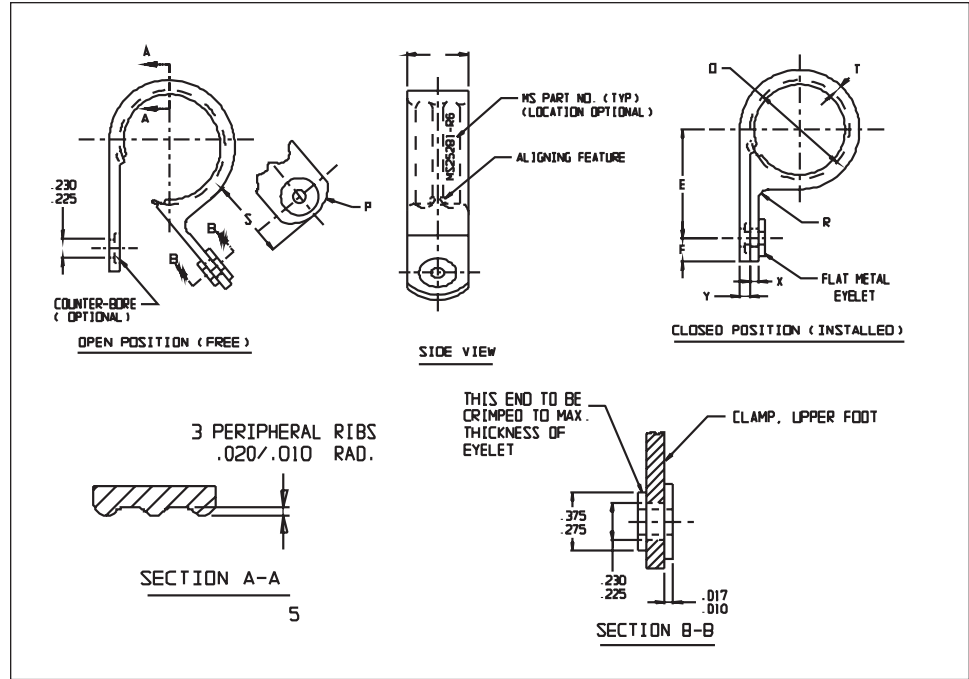
Aluminum anodized to MIL-A-8625

COLOR:

Natural

QUALIFIES TO:

MS25281-R (Series)



PART NO. CL141N	APPROX CABLE BUNDLE DIA. ±1/64	D ±.025	E ±.025	(RAD.) P MIN.	(RAD.) R ±.005	S ±.010	T MIN	T MAX.	W MIN.	W MAX.	X MIN.	X MAX.	Y MIN.	Y MAX.
-R2	1/8	0.125	0.44	0.25	0.062	0.54	0.038	0.075	0.51	0.06	0.1	0.06	0.06	0.06
-R3	3/16	0.188	0.485											
-R4	1/4	0.25	0.51											
-R5	5/16	0.312	0.546											
-R6	3/8	0.375	0.578											
-R7	7/16	0.468	0.608											
-R8	1/2	0.5	0.639											
-R9	9/16	0.562	0.675											
-R10	5/8	0.625	0.706											
-R11	11/16	0.688	0.785											
-R12	3/4	0.75	0.816	0.3	0.109	0.605	0.05	0.085	0.495	0.08	0.08	0.085	0.085	0.13
-R13	13/16	0.812	0.827											
-R14	7/8	0.875	0.878											
-R15	15/16	0.938	0.91											
-R16	1	1	0.941											
-R17	1-1/16	1.063	0.972											
-R18	1-1/8	1.125	0.983											
-R20	1-1/4	1.25	1.066											
-R22	1-3/8	1.385	1.11											
-R24	1-1/2	1.5	1.17											
-R26	1-5/8	1.625	1.25	0.08	0.16	0.085	0.085	0.13	0.109	0.13	0.109	0.109	0.109	0.109
-R28	1-3/4	1.75	1.3											
-R30	1-7/8	1.875	1.355											
-R32	2	2	1.42											

For more information call toll free: (800) 321-1243 or visit our website at www.nmcgroup.com