

NMC

NMC CA2030- (Series)

ADJUSTABLE CLAMPS 30°



Premountable Clamps for Varied Wire Bundle Installations

Pre-mounted adjustable design is excellent for installing wire bundles and hydraulic lines. Varying sizes of wire bundles can be securely clamped with plastic cable ties (MS3367), used in conjunction with the adjustable clamp. No need to remove clamp. Cut and discard cable ties for easy servicing of wire bundles and hydraulic lines. Cables can be re-secured with a new tie-down strap. Metal eyelet securely crimped to the mounting hole distributes the load and relieves stress concentration. Can be immersed in aircraft fuel. Five nominal sizes available with capacities from .250" to 1.250". Material: 6/6 nylon, heat stabilized. Clamp opens at a 30° angle so that clamps may be used in stacked installations.

NMC has full engineering specifications available for all items shown here. Contact us for further information.



Nylon Molding Corporation / Div. of NMC Group, Inc.

2755 Thompson Creek Road • Pomona, CA 91767-1861

(800) 321-1243 • (909) 451-2290 • Fax: (909) 593-8309 • www.nmcgroup.com

ISO 9100-2000 • AS9100B

NMC

NMC CA2030- (Series)

ADJUSTABLE CLAMPS 30°

MATERIAL:

Nylon 6/6 Heat Stabilized per
ASTM D4066 (PA 0121)

(For applications to 275°F)

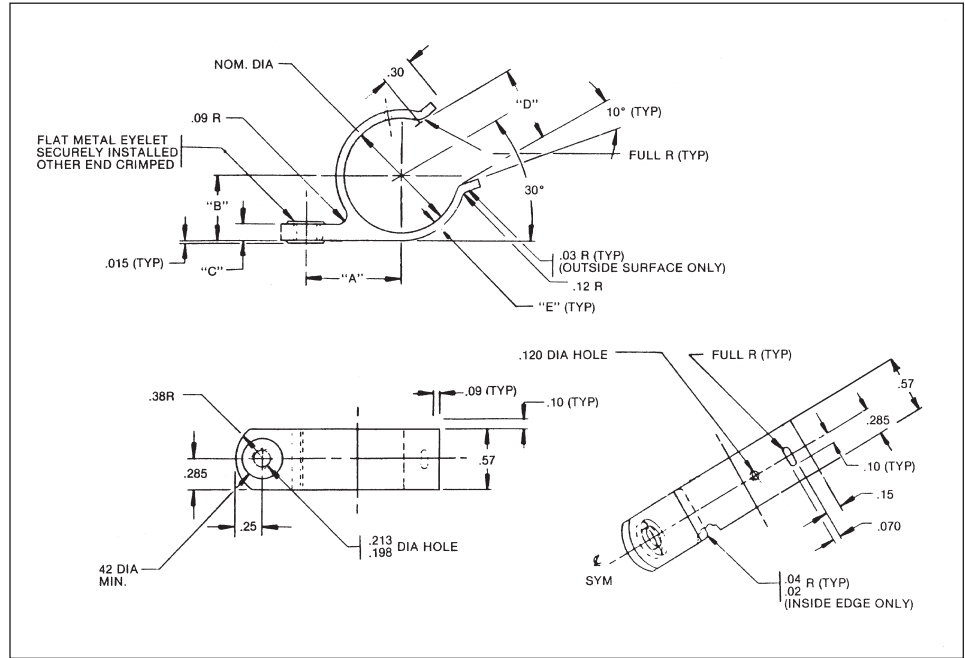
COLORS:

Natural

EYELET:

Aluminum anodized per MIL-A-8625

CONFORMS TO:



PART NO.	NOM DIA.	DIA. RANGE	A	B	C	D	E
-1	5/16	1/4 to 3/8	.50	.22	.109	.19	.065
-2	7/16	3/8 to 1/2	.56	.28		.25	
-3	5/8	1/2 to 11/16	.63	.38		.38	
-4	7/8	11/16 to 15/16	.81	.50		.50	
-5	1-1/8	7/8 to 1-1/4	.94	.65	.156	.75	.093

For more information call toll free: (800) 321-1243 or visit our website at www.nmcgroup.com