

# NMC

NMC S7701100- (Series)

## TUBE SUPPORT CLAMPS

CONFORMS TO: NAS 1787- (SERIES)



### **Tube Support/Mounting Clamps For Fuel Lines, Environmental Control Lines, Hydraulic Lines and Other Miscellaneous Air and Fluid Lines**

Tube support clamps grip vent lines and tubing. They are made of lightweight nylon and offer exceptional toughness and tensile strength, making them especially useful in aircraft. Among their advantages are that they provide a cushioning effect, withstand constant vibration and shock loads, are non-corrosive, weather-proof, fungus-proof, lightweight, strong and durable. Tube support clamps are available with aluminum ground strip bonded to the base. They come in sizes that grip tubes from 1" to 9" in size.

NMC has full engineering specifications available for all items shown here. Contact us for further information.



**Nylon Molding Corporation / Div. of NMC Group, Inc.**

2755 Thompson Creek Road • Pomona, CA 91767-1861

(800) 321-1243 • (909) 451-2290 • Fax: (909) 593-8309 • [www.nmcgroup.com](http://www.nmcgroup.com)

ISO 9100-2000 • AS9100B

# NMC

NMC S7701100- (Series)

## TUBE SUPPORT CLAMPS

CONFORMS TO: NAS 1787- (SERIES)

**MATERIAL:**

Nylon 6/6 per ASTM D4066 (PA 0111)

(For applications to 275°F)

**COLOR:**

**CODE:**

NMC S7701100S (Strap)

NMC S7701100B (Base)

NMC S7701100-BG Base, Grounded

G = Grounding (AL) Strip

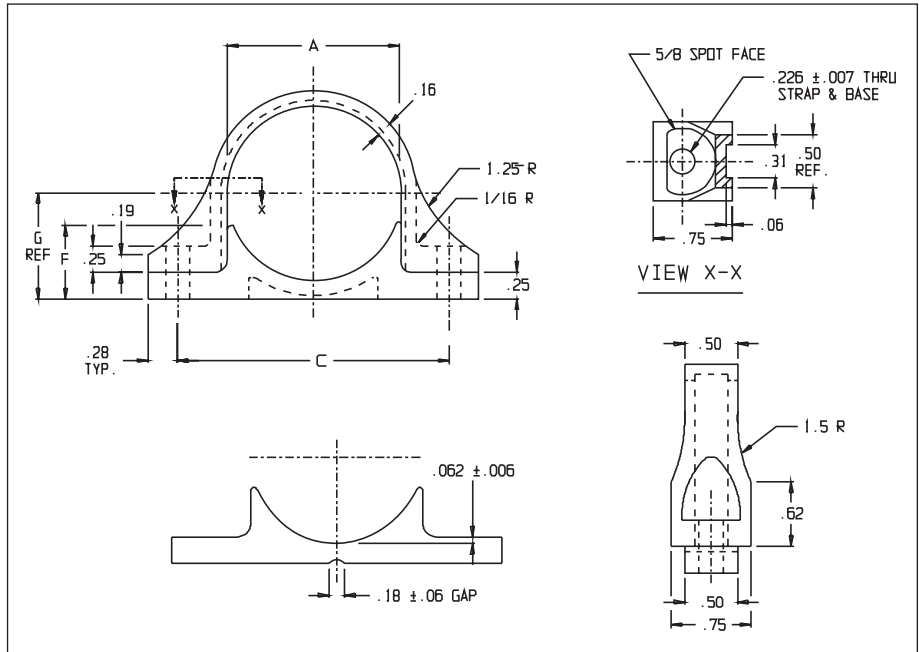
**EXAMPLE:**

NMCS770100 - B 40 G

Part No. Style Tube Dia. Grounding

**CONFORMS TO:**

NAS 1787- (Series)



| TUBE SUPPORT CLAMPS |      |       |       |       |    |       |        |       |        |   |   |
|---------------------|------|-------|-------|-------|----|-------|--------|-------|--------|---|---|
| DASH NO.            | DIA. | A     | B     | C     | D  | E     | F      | G     | H      | J | K |
| 16*                 | 1    | .500  | .906  | 1.934 | 2½ | .500  | 13/32  | .625  |        | ½ | ¾ |
| 18*                 | 1½   | .562  | 1.046 | 2.058 | 2½ | .562  | 17/32  | .750  |        |   |   |
| 20*                 | 1¼   | .625  | 1.172 | 2.184 | 2¾ | .625  | ½      | .812  |        |   |   |
| 24*                 | 1½   | .750  | 1.407 | 2.434 | 3¼ | .750  | 9/16   | .937  |        |   |   |
| 26*                 | 1¾   | .812  | 1.547 | 2.559 | 3½ | .812  | 11/16  | 1.000 |        |   |   |
| 32*                 | 2    | 1.000 | 1.908 | 2.934 | 3½ | 1.000 | 25/32  | 1.187 |        |   |   |
| 40*                 | 2½   | 1.250 | 2.407 | 3.434 | 4  | 1.250 | 7/8    | 1.437 |        |   |   |
| 48*                 | 3    | 1.500 | 2.907 | 3.934 | 4½ | 1.500 | 13/16  | 1.687 |        |   |   |
| 52*                 | 3¼   | 1.625 | 3.172 | 4.184 | 4¾ | 1.625 | 13/32  | 1.812 |        |   |   |
| 56*                 | 3½   | 1.750 | 3.405 | 4.434 | 5  | 1.750 | 11/32  | 1.937 |        |   |   |
| 60*                 | 3¾   | 1.875 | 3.672 | 4.684 | 5½ | 1.875 | 11/32  | 2.062 |        |   |   |
| 64*                 | 4    | 2.000 | 3.905 | 4.934 | 5½ | 2.000 | 11/32  | 2.187 |        |   |   |
| 68                  | 4¼   | 2.125 | 4.172 | 5.184 | 5¾ | 2.125 | 15/16  | 2.312 | 11.087 |   |   |
| 72                  | 4½   | 2.250 | 4.422 | 5.434 | 6  | 2.250 | 13/8   | 2.437 | 11.730 |   |   |
| 80                  | 5    | 2.500 | 4.922 | 5.934 | 6½ | 2.500 | 1½     | 2.687 | 13.015 |   |   |
| 88                  | 5½   | 2.750 | 5.422 | 6.434 | 7  | 2.750 | 1¾     | 2.938 | 13.983 |   |   |
| 92                  | 5¾   | 2.875 | 5.672 | 6.684 | 7¼ | 2.875 | 125/64 | 3.062 | 14.943 |   |   |

\*Indicates NAS 1787 conformance.

Larger sizes may be available upon request.

For more information call toll free: (800) 321-1243 or visit our website at [www.nmcgroup.com](http://www.nmcgroup.com)