

# P Series 200 Amp Contactor

The P Series is a lightweight, rugged DC contactor rated at 200 Amps, 28 Vdc, DM-DB (Double Make/Double Break) DC coil with up to 3PDT auxiliary contacts. It is available hermetically or environmentally sealed.



Connector version



Standard version

## Applications

- Aircraft
- High-reliability applications

## Features

- Compact, lightweight design
- High reliability
- Auxiliary contacts
- Fast operate and release times
- Corrosion-resistant metal enclosure
- Hermetically or environmentally sealed
- Designed to MIL-PRF-6106

## Specifications

### Coil Data

Nominal Operating Voltage: 28 Vdc  
Maximum Pickup Voltage: 18 Vdc  
Dropout Voltage: 1 to 7 Vdc  
Operate Time at 28 Vdc +20° C:  
28 ms, max  
Release Time at 28 Vdc: 25 ms  
Coil Resistance at 25° C: 65 Ohms +/-5%

### Contact Data

	Main-3PST-N.O.	Aux Contacts-up to 3PDT
Voltage:	28 Vdc	28 Vdc
Resistive:	200 Amps	5 Amps
Rupture:	2,000 Amps	
Electrical Life:	50,000 cycles minimum	
Mechanical Life:	100,000 cycles minimum	

**LEACH**® INTERNATIONAL

Solutions for Power Switching and Control

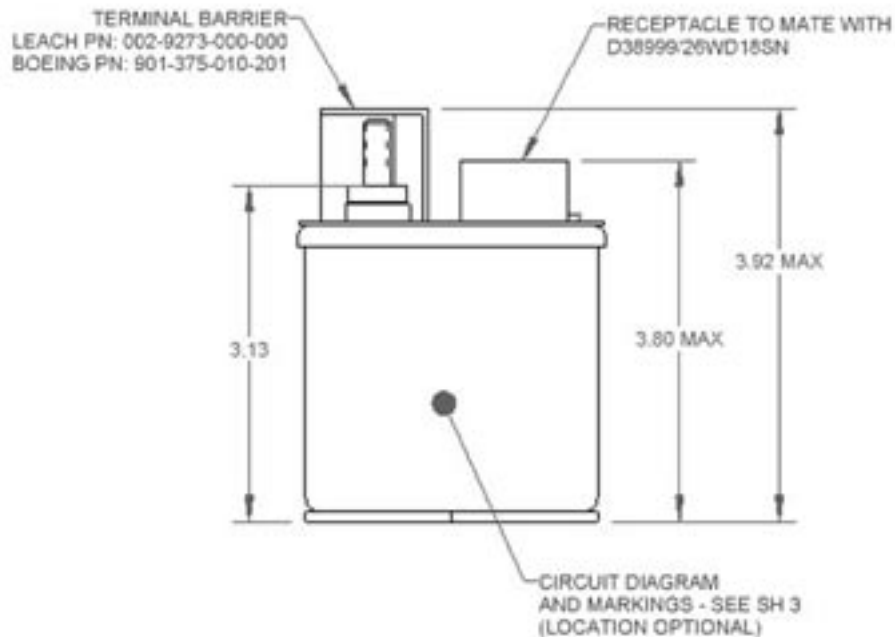
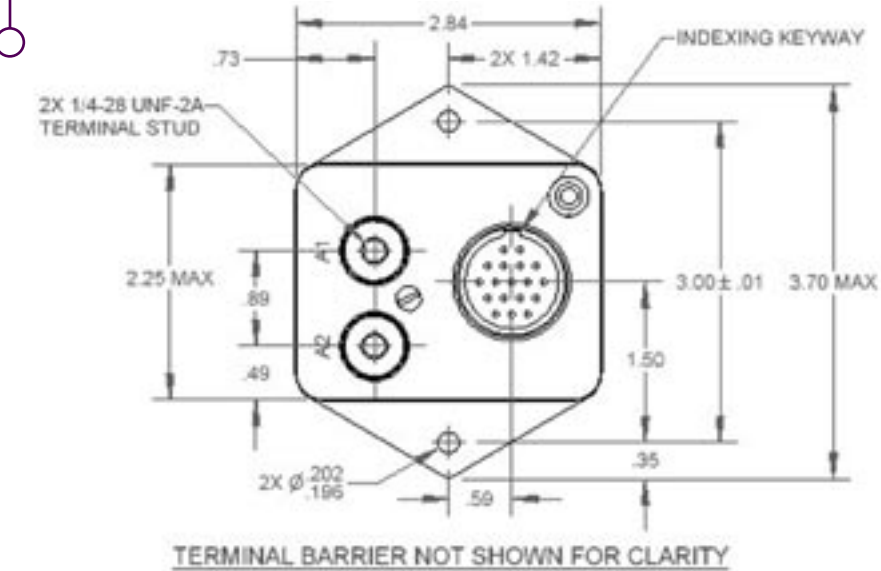
## Environmental and Physical Data

Temperature Range: -55° C to +71° C

Altitude: 30,000 feet maximum (unsealed); 80,000 feet maximum (sealed)

Weight: 1.10 lb. maximum (with connector)

Dimensions (LxWxH): 2.84" x 3.70" x 3.92" maximum



\* NOTE: This drawing shows the 3PDT connector version; the standard 1PDT auxiliary contact version has the same dimensions but is .50 inch shorter. This preliminary datasheet is designed for initial selection and comparison of products. Please contact Leach International for a Product Control Drawing (PCD) or for further information.

**LEACH®** INTERNATIONAL

Solutions for Power Switching and Control

Leach International  
Europe S.A.  
2 Rue Goethe  
F-57430 Sarralbe  
France

Leach International  
North America  
6900 Orangethorpe Avenue  
P.O. Box 5032  
Buena Park, CA 90622-5032  
USA

Leach International  
Asia-Pacific Ltd.  
20/F, Flat A  
21-27 Wing Kut Street  
Central, Hong Kong