

LEACH® Busbar-mount AC Contactor Series



WB Series - 275 A



ZB Series - 130 A



HB Series - 50 A

Applications:

This series of lightweight, rugged AC contactors with busbar interface are designed for commercial and military aerospace, industrial, and high reliability applications. Main contacts are rated at 115/200 Vac, 50 to 275 A, 400 Hz, 3Ø. These devices are configured to meet military requirements for mechanical shock, vibration, and thermal environments.

Features

- Compact, lightweight design
- High reliability
- Dust sealed design
- Multiple auxiliary contacts
- Fast operate and release times
- Low contact voltage drop
- Rated for make, carry, and break
- Cut-throat coil configuration available
- Meets requirements of MIL-PRF-6106
- Temperature range: -55°C to 85°C
- Designed for "quick change" installation
- D-sub connector for coil and contacts

Specifications:

Coil Data

Nominal Operating Voltage: 28Vdc for DC coil

Pickup Voltage: 18Vdc for DC coil

Dropout Voltage: 1 to 10 Vdc for DC coil

Operate Time: Contact factory for details

Release Time: Contact factory for details

Duty Cycle: Continuous

Coil Suppression Circuit: Built-in

Contact Data

Configuration: 3PST-N.O., main contacts

Load Voltage: 115/200 Vac, 400Hz, 3 phase

Series is rated for:

AC Resistive

AC Inductive

AC Rupture

AC Mechanical Life

Options (HB only):

- Current Sensing
- Ground Fault Interrupter
- AC coil
- Non-suppressed coil

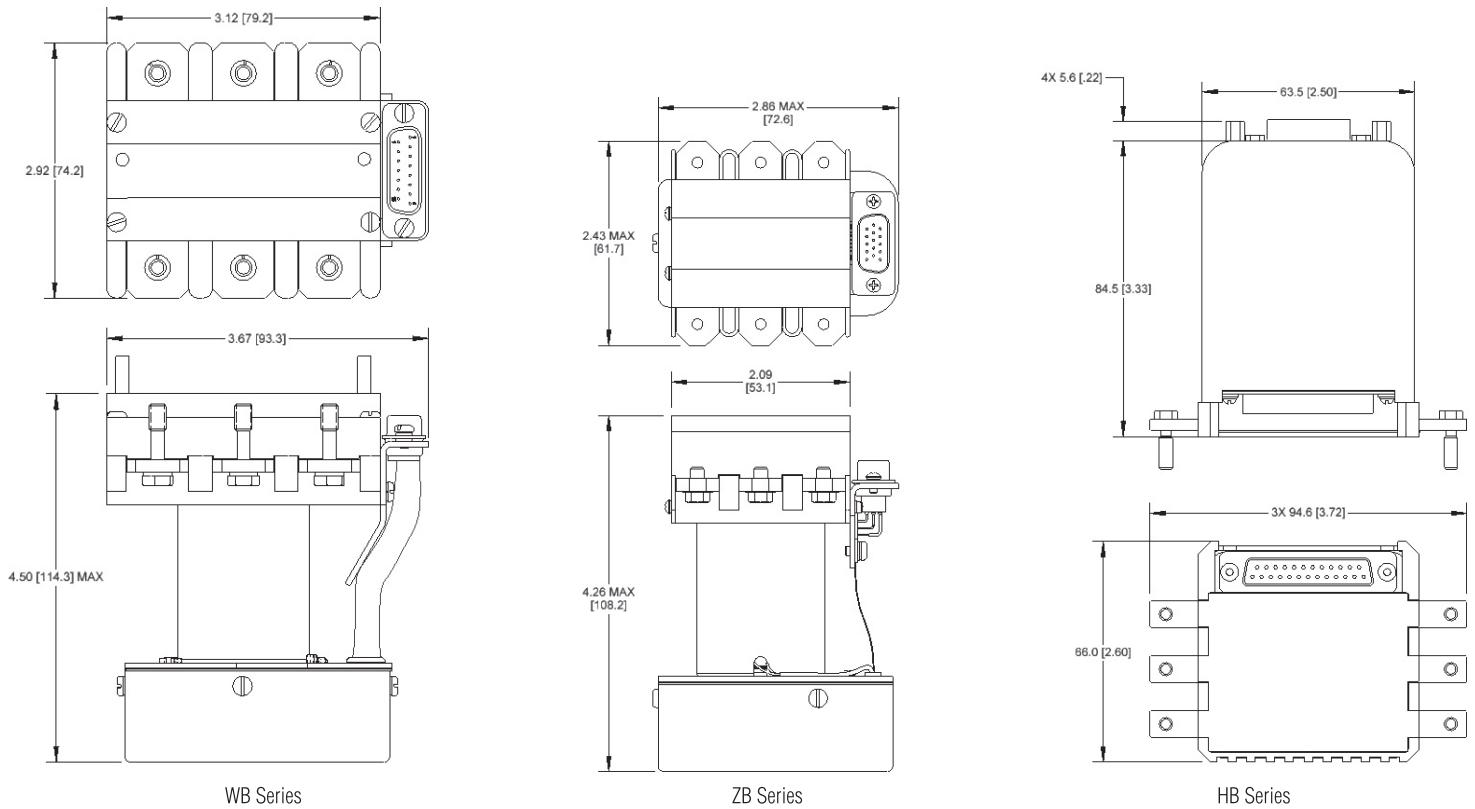
Environmental and Physical Data

Temperature Range: -55°C to +85°C (WB), -40°C to +90°C (ZB), -55°C to +85°C (HB)

Altitude: 45,000 feet maximum; (WB and HB), 20,000 feet maximum; (ZB)

Weight: 2 lbs. Maximum (WB), 1.25 lbs. Maximum (ZB), 1.25 lbs. Maximum (HB)

Dimensions: See below



This data sheet is designed for initial selection and comparison of products. Please contact Esterline Power Systems for further information or for a LEACH® Product Control Drawing (PCD).

Worldwide Locations

North America
6900 Orangethorpe Avenue
P.O. Box 5032
Buena Park, CA 90622-5032
Phone: (714) 736-7599
Fax: (714) 670-1145

Asia-Pacific
Room 501, 5/F The Centre Mark
287-299 Queens Road Central
Hong Kong
Phone: (852) 2 191 3830
Fax: (852) 2 389 5803

Europe
2 Rue Goethe
F-57430 Sarralbe
France
Phone: (33) 3 87 97 98 97
Fax: (33) 3 87 97 84 04

Esterline
Power Systems

www.leachintl.com