

270Vdc High-Voltage Contactors



Featuring EPIC™ (Extended Performance Impervious Ceramic) technology, these 270Vdc contactors provide the benefits of all-ceramic contactors at a reduced size, weight, and cost.

Applications:

- Aircraft
- Missile
- Space
- Ship
- Ground Vehicle

Features

- Compact, lightweight design
- High reliability
- Durable, temperature-resistant ceramic seal
- High-temperature internal components
- Hydrogen gas compatible
- Meets requirements of MIL-PRF-32085
- Higher temperature rating than epoxy-sealed contactors
- Auxiliary contacts optional
- Hot-switch capable
- Hermetically sealed
- Built-in coil suppression

Specifications:

Coil Data

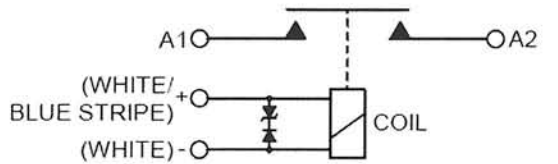
Nominal Operating Voltage: 28Vdc
Maximum Pickup Voltage: 18Vdc
Dropout Voltage: 1.5 to 7 Vdc
Operate Time at 28Vdc, +20°C: 20 ms, max
Release Time at 28Vdc, +20°C: 15 ms, max
Duty Cycle: Continuous
Coil Current: 330 mA max, +20°C

Contact Data

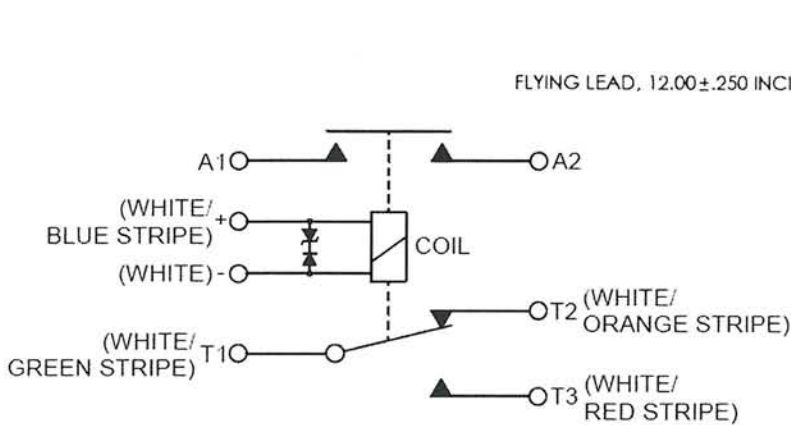
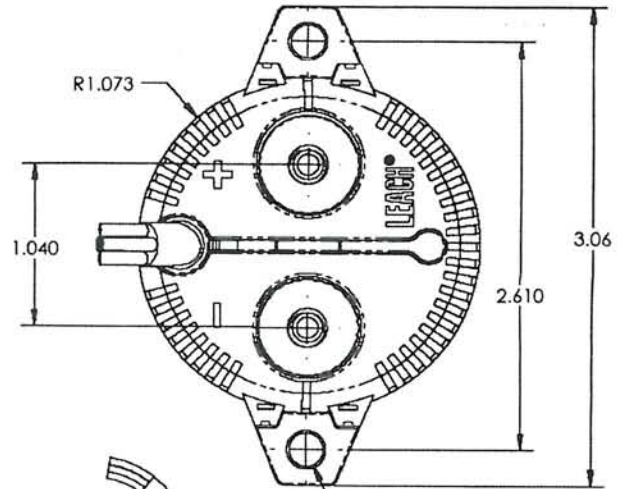
Configuration: 1PST-N.O., D.M.
Voltage: 270Vdc
Aux. Contact: 1 PDT, 28 Vdc, 2 Amps
Resistive: 100 Amps at 20,000 cycles
Overload: 167% of rated load for 50 cycles
Rupture – Break: 1,000 Amps for 5 cycles
Mechanical Life: 100,000 cycles minimum

Environmental and Physical Data

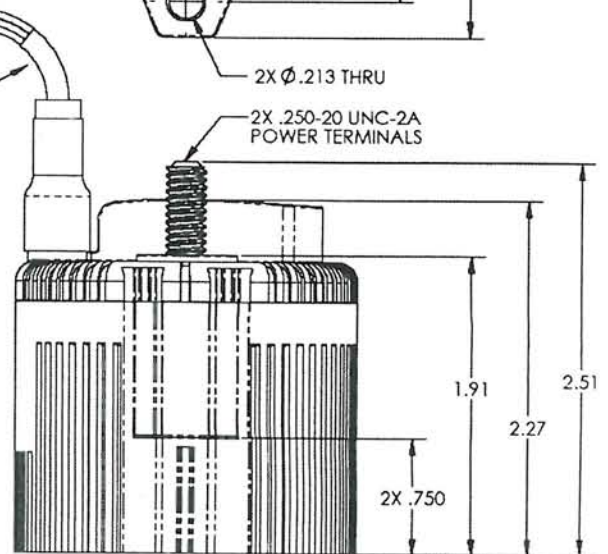
- Temperature Range: -55 °C to +85°C
- Altitude: 45,000 feet maximum; 70,000 for specific applications
- Weight: 1 lb. Maximum
- Dimensions: 3.06" (L) x 2.15" (W) x 2.51" (H)
- Random Vibration: 0.04 PSD
- Mechanical Shock: 20 Gs max.
- Threaded Terminals: Tin-lead plated
- Housing (main): Thermoplastic



STANDARD SCHEMATIC



SCHEMATIC WITH AUX. CONTACTS



Power Systems is a marketing name for Leach International
EPIC™ is a trademark of GIGAVAC

Worldwide Locations

Americas
6900 Orangethorpe Avenue
P.O. Box 5032
Buena Park, CA 90622-5032
Phone: (714) 736-7599
Fax: (714) 670-1145

Asia
Room 501,
5/F The Centre Mark
287-299
Queens Road Central,
Hong Kong
Phone: (852) 2 191 3830
Fax: (852) 2 389 5803

Europe
2 Rue Gœthe
F-57430 Sarrelbe
France
Phone: (33) 3 87 97 31 01
Fax: (33) 3 87 97 96 36

Esterline
Power Systems

www.esterline.com